

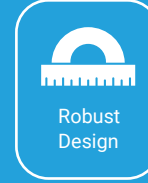
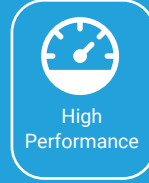
Manual & Semi-Electric Range



We Protect your product
Increase your storage
Improve your Labor Productivity
While enhancing Safety, Hygiene, & Ergonomics

WHY USE A NILKAMAL MANUAL RANGE

- Equipment to suit wide range of applications.
- Direct service reach
- Robust Construction of equipment and increased life
- Ready availability



KEY FEATURES



Robust steel profile construction



Allow the operator to work without having to perform extreme body movements



Compact design with strong steel construction.



Reliable oil leak proof hydraulic system

HAND PALLET TRUCK

Model : BF1150



Wheels : Nylon / Polyurethane / Cast Iron

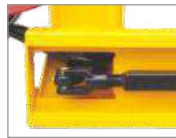
| | | BF1150 |
|---|---------|-------------|
| Capacity | Q(kg) | 2500 |
| Lowered fork height | h13(mm) | 85 |
| Steering wheel | mm | Ø200 |
| Fork wheel single | mm | Ø80×93 |
| Fork wheel tandem | mm | Ø80×70 |
| Max. lift height | h3(mm) | 200 |
| Total height | h14(mm) | 1224 |
| Overall length | l1(mm) | 1533/1603 |
| Fork length | l(mm) | 1150/1220 |
| Width overall forks | b5(mm) | 520/550/685 |
| Ground clearance, centre of wheelbase | m2(mm) | 40 |
| Aisle width for pallets 1000x1200 crossways | Ast(mm) | 1733/1803 |
| Aisle width for pallets 800x1200 lengthways | Ast(mm) | 1783/1803 |
| Turning radius | Wa(mm) | 1266/1336 |
| Service weight | Kg | 60-75 |



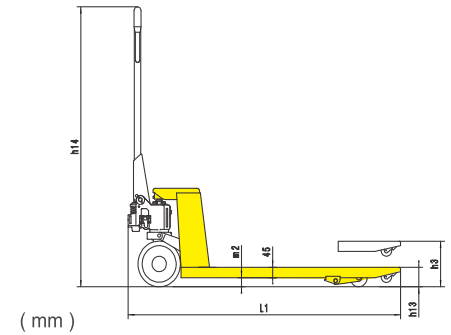
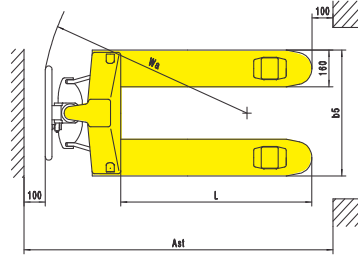
Option : fully rubber wrapped handle



Adjustable pump cap



Adjustable straight tappet



HAND PALLET TRUCK WITH BRAKE SYSTEM

Model : BFB1150 (Brake)



| | | BFB1150 |
|------------------------|----|-------------------|
| Capacity | Kg | 2500 |
| Max. lift height | mm | 200 |
| Lowered fork height | mm | 85 |
| Fork length | mm | 1150 |
| Fork width | mm | 160 |
| Width overall the fork | mm | 550/685 |
| Wheels | | PU (Polyurethane) |
| Steering wheel | mm | Ø200 |
| Fork wheel single | mm | Ø80 |
| Ground clearance | mm | 40 |
| Total height | mm | 1224 |
| Overall length | mm | 1533 |
| Turning radius | mm | 1266 |
| Service weight | Kg | 60-75 |

Advantages

- Hand Pallet Truck with brake system can conveniently seize the truck and navigate ramp
- Hand Pallet Truck with PU (Polyurethane) wheel only
- Suitable for epoxy coating floor

FULLY STAINLESS STEEL HAND PALLET TRUCK

Model : NKSS25/NKSS25NY



| | UNIT | NKSS25 | NKSS25NY |
|-----------------------------|------|--------------|----------|
| Basic Capacity | Kg | 2500 | 2500 |
| Lift height | mm | 200 | 200 |
| Lowered fork height | mm | 85 | 85 |
| Fork length | mm | 1150 | 1150 |
| Width over forks | mm | 550/685 | 550/685 |
| Load centre | mm | 600 | 600 |
| Overall length of equipment | mm | 1533 | 1533 |
| Lift/Stroke | no | 12 | 12 |
| Outer turning radius | mm | 1266 | 1266 |
| Steering wheel | mm | Ø200 | Ø200 |
| Fork wheel | mm | Ø74 | Ø74 |
| Wheels type | | Polyurethane | Nylon |
| Service weight | Kgs | 75 | 75 |

Advantages

- Widely used in carrying solvents & chemicals
- Can work in very low temperature conditions, e.g. to deliver goods into and out of cold stores
- It is made of 100% Stainless Steel material and components of grade 302/304/1Cr13/2Cr13

SEMI STAINLESS STEEL HAND PALLET TRUCK

Model : NKSSS25/NKSSS25NY



| | UNIT | NKSSS25 | NKSSS25NY |
|-----------------------------|------|--------------|-----------|
| Basic Capacity | Kg | 2500 | 2500 |
| Lift height | mm | 200 | 200 |
| Lowered fork height | mm | 85 | 85 |
| Fork length | mm | 1150 | 1150 |
| Width over forks | mm | 550/685 | 550/685 |
| Load centre | mm | 600 | 600 |
| Overall length of equipment | mm | 1533 | 1533 |
| Lift/Stroke | no | 12 | 12 |
| Outer turning radius | mm | 1266 | 1266 |
| Steering wheel | mm | Ø200 | Ø200 |
| Fork wheel | mm | Ø74 | Ø74 |
| Wheels type | | Polyurethane | Nylon |
| Service weight | Kgs | 75 | 75 |

Advantages

- Widely used in pharmaceuticals & similar industries
- Can work in very low temperature conditions, e.g. to deliver goods into and out of cold stores
- In this Hand Pallet Truck, Body frame and handle are of Stainless Steel 304 grade, rest all parts are galvanized.

LOW PROFILE HAND PALLET TRUCK

Model : NKLP10



Advantages

- 1T Cap. lowered fork height - 35mm
- Steel fork rollers

| | | NKLP10 |
|---|---------|-------------|
| Capacity | Q(kg) | 1000 |
| Lowered fork height | h13(mm) | 35 |
| Steering wheel | mm | Ø150 |
| Fork wheel single | mm | - |
| Fork wheel tandem | mm | Ø30×60 |
| Max. lift height | h3(mm) | 105 |
| Total height | h14(mm) | 1174 |
| Overall length | l1(mm) | 1533/1603 |
| Fork length | l(mm) | 1150 |
| Width over forks | b5(mm) | 520/550/685 |
| Ground clearance, centre of wheelbase | m2(mm) | 7 |
| Aisle width for pallets 1000x1200 crossways | Ast(mm) | 1733/1803 |
| Aisle width for pallets 800x1200 lengthways | Ast(mm) | 1783/1803 |
| Turning radius | Wa(mm) | 1266/1336 |
| Service weight | Kg | 65-80 |

PAPER ROLL VERSION PALLET TRUCK

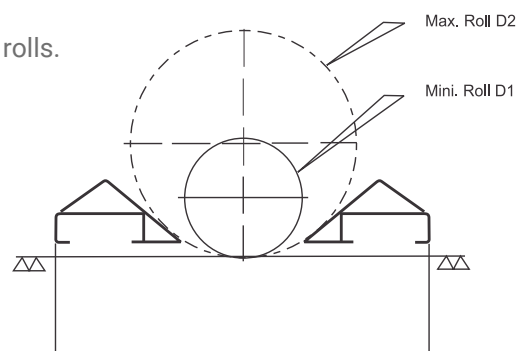
Model : BFJ1220



| | | BFJ1220100085YEL |
|-----------------------|----|------------------|
| Capacity | Kg | 1000 |
| Diameter of bale | mm | Ø700-Ø1200 |
| Fork Length | mm | 1150 |
| Max. width over forks | mm | 965 |
| Steering wheel | mm | Ø200 |
| Fork Wheel | mm | Ø80 |
| Weight | Kg | 135 |

Advantages

- Paper Roll Pallet Truck facilitates smooth & easy movement of paper rolls.
The paper rolls are rested on the trolley while transporting
- Hydraulic operation



ROUGH TERRAIN HAND PALLET TRUCK

Model : NKR-TERRAIN15YEL



Advantages

- Special for building site

| | | NKR-TERRAIN15YEL |
|------------------------|----|------------------|
| Capacity | Kg | 1500 |
| Lowered fork height | mm | 70 |
| Total lift height | mm | 240 |
| Height of handle less | mm | 734 |
| Total height | mm | 1298 |
| Total width | mm | 1605 |
| Fork length | mm | 800 |
| Max. width over forks | mm | 740 |
| Least width over forks | mm | 226 |
| Steering wheel | mm | Ø250x60 |
| Fork Wheel | mm | Ø380x114 |
| Weight | Kg | 192 |

WEIGHING SCALE PALLET TRUCK

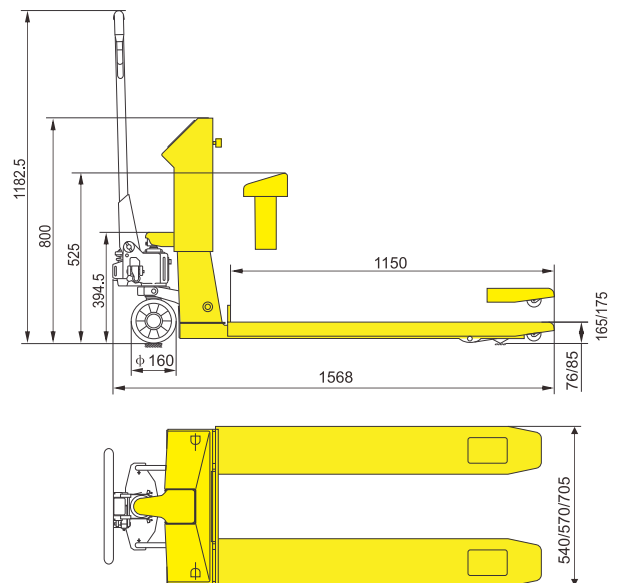
Model : NKWS20YEL



| | | NKWS20YEL |
|-------------------------|----|----------------------------|
| Capacity | Kg | 2000 |
| Lowered fork height | mm | 85 |
| Total lift height | mm | 175 |
| Fork length | mm | 1150 |
| Width over forks | mm | 540/570/705 |
| Steering wheel | mm | Ø160 |
| Fork wheel | mm | Ø70 |
| Power | | Ni MH rechargeable battery |
| Max. deviation (weight) | mm | 0.5 |
| Max. deviation (rate) | % | ±1% |
| Service weight | Kg | 135 |

Advantages

- Mobile pallet truck with scale combined two major functions for pallet truck/scale, allows you to weigh cargo whatever you want
- Power supply with rechargeable battery
- Keypad and automatic tare functions
- 1.2 inches, super-large and bright LED display in solid state to be strike-free
- Available in pounds or kilograms
- A/D velocity: 27/s, a faster speed of weighing more correct
- Various functions: with extended functions as weight-checking, counting, etc., to satisfy different needs of customers
- Conforms to EU's ROHS standard.
- Calibrated by Govt. Authorities



SCISSOR HAND PALLET TRUCK

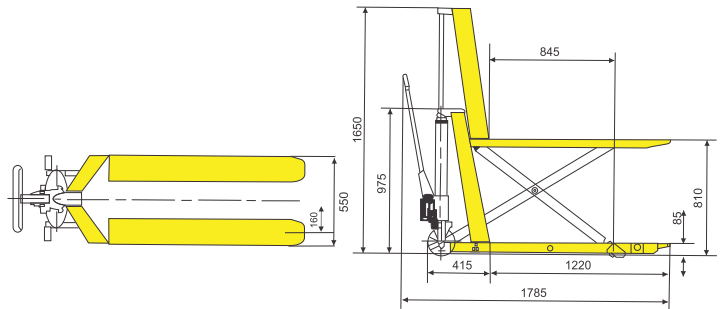
Model : NKSH10YEL



| | | NKSH10YEL |
|---|----|-----------|
| Capacity | Kg | 1000 |
| Lift height | mm | 810 |
| Lowered fork height | mm | 85 |
| Fork length | mm | 1220 |
| Fork width | mm | 160 |
| Max. width over forks | mm | 550 |
| Steering wheel | mm | Ø180x50 |
| Fork Wheel | mm | Ø74x50 |
| Truck weight | kg | 115 |
| Aisle width for pallets 1000x1200 crossways | mm | 1985 |
| Aisle width for pallets 800x1200 lengthways | mm | 1985 |
| Turning radius | mm | 1670 |

Advantages

- Ideal design, with the numerous possibilities makes this unit very suitable as pallet truck or as scissor lift table



BATTERY OPERATED SCISSOR HAND PALLET TRUCK

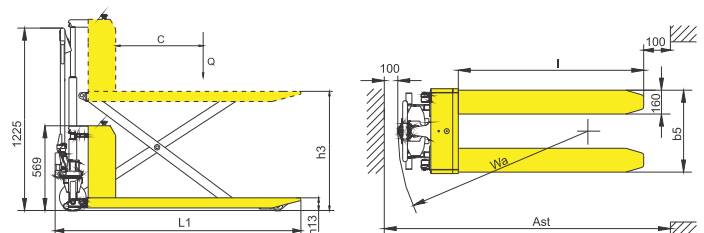
Model : NKSH10P



| | | NKSH10P |
|---|---------|---------|
| Capacity | Q(kg) | 1000 |
| Lowered fork height | h13(mm) | 85 |
| Steering wheel | mm | Ø180x50 |
| Fork wheel | mm | Ø74x50 |
| Max. lift height | h3(mm) | 800 |
| Overall length | L(mm) | 1652 |
| Fork length | l(mm) | 1245 |
| Width over forks | b5(mm) | 550/685 |
| Aisle width for pallets 1000x1200 crossways | Ast(mm) | 1852 |
| Aisle width for pallets 800x1200 lengthways | Ast(mm) | 1852 |
| Turning radius | Wa(mm) | 1480 |
| Lift motor rating at S3 15% | kW | 0.7 |
| Battery voltage, nominal capacity K10 | V/Ah | 12/100 |
| Battery weight | kg | 31 |
| Service weight (with battery) | kg | 181 |

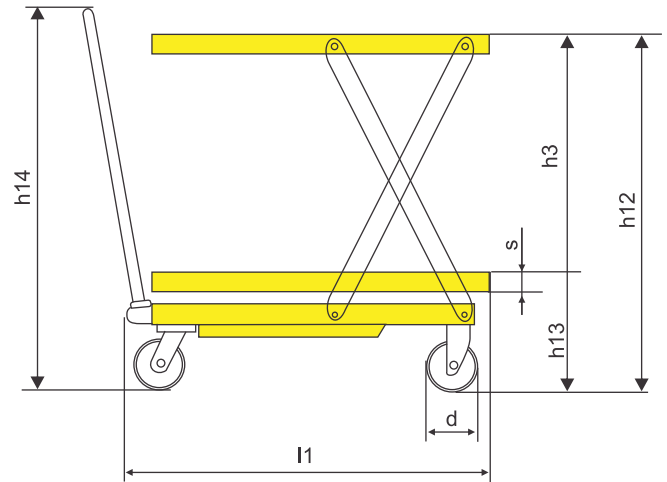
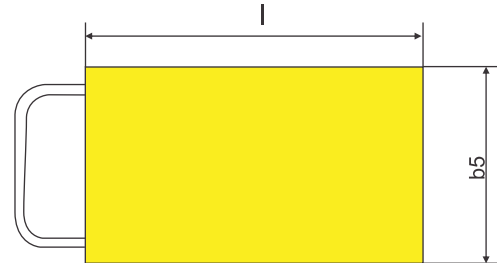
Advantages

- 210 degrees turning radius
- 2 lateral stabilizers when raised ensures good stability
- Support legs come into operation automatically



SCISSOR LIFT TABLE

Model : NKSLT350YEL/ NKSLT500YEL/ NKSLT680YEL/ NKSLT1500YEL



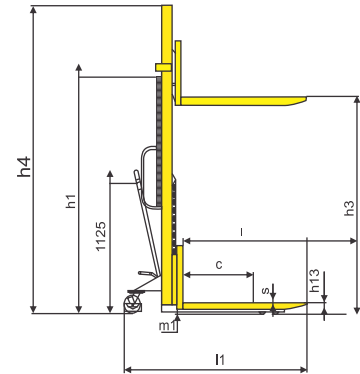
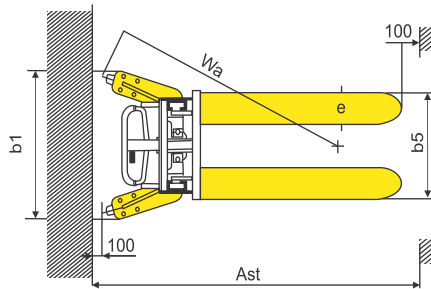
Advantages

- Valuable material handling equipment for use as a feeding table on assembly line
- Structural heavy duty steel construction
- Easy action foot operated hydraulic for raising table top to desired level

| | | UNIT | NKSLT350YEL | NKSLT500YEL | NKSLT680YEL | NKSLT1500YEL |
|----------------------------------|--------|------|-------------|-------------|-------------|--------------|
| Capacity | | kg | 350 | 500 | 680 | 1500 |
| Max. lift height | h12 | mm | 1300 | 900 | 1500 | 1000 |
| Min. height table | h13 | mm | 350 | 280 | 474 | 420 |
| Lifting height | h3 | mm | 950 | 620 | 1026 | 580 |
| Table size | lxb5xs | mm | 910x500x50 | 815x500x50 | 1220x610x55 | 1220x610x60 |
| Total height | b14 | mm | 970 | 996 | 1038 | 962 |
| Overall length | l1 | mm | 980 | 942 | 1289 | 1379 |
| Foot pedal cycles to Max. height | | | <60 | <45 | <80 | <70 |
| Wheel diameter | d | mm | 127 | 127 | 150 | 150 |
| Self weight | | kg | 105 | 87 | 185 | 135 |
| Wheel | | | PU | PU | PU | PU |

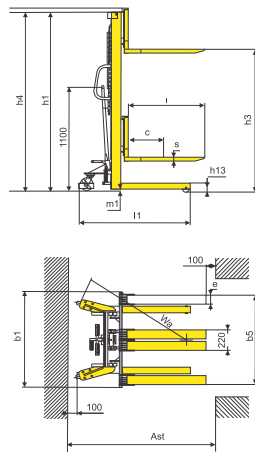
MANUAL STACKER

Model : NKMS1016YEL/ NKMS1025YEL/ NKMS1516YEL



ADJUSTABLE FORK STACKER

Model : NKMSA1016YEL/ NKMSA1516YEL

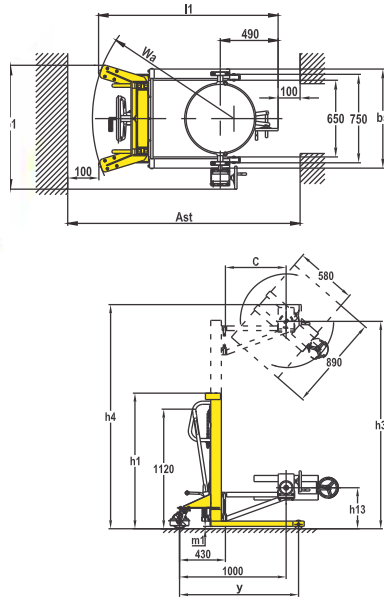


Advantages

- Robust steel profile construction
- Lifting function operated by foot and hand controls
- Welded forks deliver low-cost solution
- With safety wheel guard and brake system to ensure safety during operations
- Metal grid protects user from lift chains
- Highly efficient pumps makes the control easier to operate

| | | | NKMS1016YEL | NKMS1025YEL | NKMS1516YEL | NKMSA1016YEL | NKMSA1516YEL |
|---|-----------|------|----------------|----------------|----------------|----------------|----------------|
| Load capacity/Rated load | Q | kg | 1000 | 1000 | 1500 | 1000 | 1500 |
| Load centre distance | C | mm | 600 | 600 | 600 | 500 | 500 |
| Height, mast lowered | h1 | mm | 2080 | 1838 | 2080 | 2085 | 2090 |
| Max. Lift height | h3 | mm | 1600 | 2500 | 1600 | 1600 | 1600 |
| Height, mast extended | h4 | mm | 2080 | 2925 | 2080 | 2165 | 2150 |
| Lowered fork height | h13 | mm | 90 | 90 | 90 | 90 | 90 |
| Overall length | l1 | mm | 1655 | 1655 | 1655 | 1380 | 1380 |
| Overall width | b1 | mm | 755 | 860 | 755 | 1000 | 1000 |
| Fork dimensions | s x e x i | mm | 61x170x1150 | 61x170x1150 | 61x170x1150 | 30x100x1150 | 30x100x1150 |
| Distance between fork-Arms | b5 | mm | 550 | 550 | 550 | 950 | 950 |
| Ground clearance, laden, below mast | m1 | mm | 25 | 25 | 25 | 25 | 25 |
| Aisle width for pallet 1000x1200 cross ways | Ast | mm | 2112 | 2112 | 2112 | 1915 | 1915 |
| Aisle width for pallet 800x1200 lengthways | Ast | mm | 1945 | 1945 | 1945 | 1910 | 1910 |
| Turning radius | Wa | mm | 1380 | 1380 | 1380 | 1235 | 1235 |
| Lift speed, laden/unladen | | mm/s | 25 | 25 | 25 | 25 | 25 |
| Lowering speed, laden/unladen | | mm/s | Manual control | Manual control | Manual control | Manual control | Manual control |
| Net weight | | kg | 230 | 276 | 245 | 250 | 255 |
| Wheel | | | Nylon | Nylon | Nylon | Nylon | Nylon |

MANUAL DRUM STACKER



| NKYTD35RU1 | | |
|-------------------------------------|---------|----------------|
| Capacity | Q(kg) | 350 |
| Load centre distance | c(mm) | 570 |
| Wheelbase | y(mm) | 1115 |
| Tyre size, front | (mm) | Ø80x36 |
| Tyre size rear | (mm) | Ø1147x40 |
| Height, mast lowered | h1(mm) | 1270/1490 |
| Max. lift height | h3(mm) | 1945/2385 |
| Height, mast extended | h4(mm) | 2100/2640 |
| Lowered fork height | h13(mm) | 385 |
| Overall length | l1(mm) | 1520 |
| Overall width | b1(mm) | 1050 |
| Width overall forks | b5(mm) | 840 |
| Ground clearance, laden, below mast | m1(mm) | 22 |
| Turning radius | Wa(mm) | 1200 |
| Lowering speed, laden/unladen | mm/s | manual control |
| Service weight | kg | 235 |

PARROT BEAK ATTACHEMENT

Model : PARROTBEEK-1DRUM



Close-up of the drum being lifted



DRUM PALLETIZER

Model : NKDP350YEL



Advantages

- Can be used for plastic & steel both drum
- Wheel locking arrangement
- Hydraulic lifting

1KG=2.205LB 1INCH=25.40MM

| | | NKDP350YEL |
|----------------------|--------|-------------------|
| Basic capacity | kg | 350 |
| Lift height | mm | 300 |
| Front wheel | mm | Ø150x50 |
| Rear wheel | mm | Ø125x50 |
| Wheel type | mm | PU (Polyurethane) |
| Overall size (LxWxH) | h1 mm | 1230/920/1120 |
| Leg Length | h3 mm | 690 |
| Leg width | h4 mm | 1050 |
| Lifting | h13 mm | Hydraulic |
| Net weight | l1 mm | 50 |

DRUM TROLLEY

Model : NKDT03

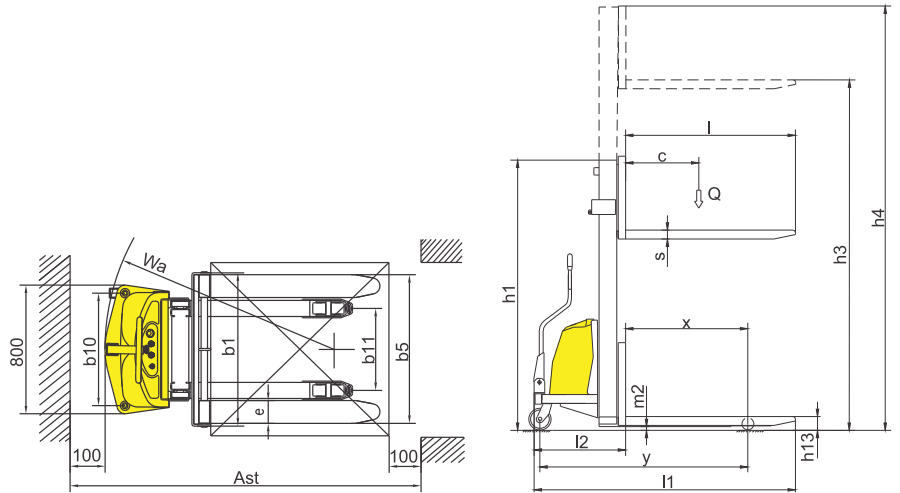


Advantages

- Easily and quick lift drums without hydraulic or electric connections

SEMI-ELECTRIC STACKER

Model : NKSES-III-1030 / NKSES-III-1530 / NKSES-III-1535



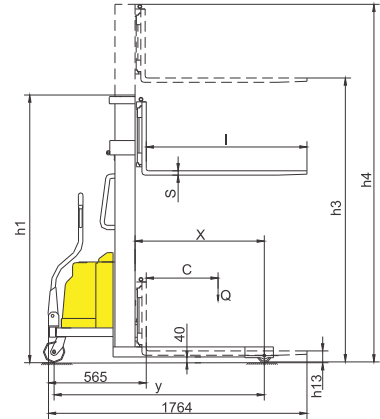
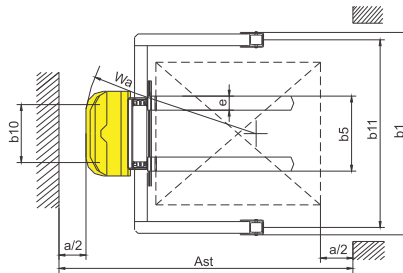
Advantages

- Handle-caster chain assist steering system greatly reduces the labour intensity
- Equipped with explosion-proof valve, against of sudden drop of forks and prevent operator from harm
- Over-discharge protection device greatly prolongs the battery life time
- Chain connect side wheel and handle, easy for steering
- Easy operating foot brake

| | | NKSES-III-1030 | NKSES-III-1530 |
|---|-----------|----------------|----------------|
| Load capacity | Q(kg) | 1000 | 1500 |
| Load centre distance | C(mm) | 500 | 500 |
| Load distance, centre of drive axle to fork | X(mm) | 802 | 802 |
| Tyre size, front | mm | 0180x50 | 0180x50 |
| Tyre size, rear | | 80x70 | 80x70 |
| Wheels, number front rear (x=driven wheels) | h1(mm) | 2/2 | 2/2 |
| Height, mast lowered | h1(mm) | 2090/2340 | |
| Max. Lift height | h3(mm) | 3000/3500 | |
| Height, mast extended | h4(mm) | 3560/4060 | |
| Overall length | l1(mm) | 1678 | 1740 |
| length to face of forks | l2(mm) | 608 | 670 |
| Overall width | b1(mm) | 800 | 800 |
| Fork dimensions | s/e/l(mm) | 60/170/1150 | 60/170/1150 |
| Width overall forks | b5(mm) | 570 | 570 |
| Aisle width for pallet 800x1200 lengthways | Ast(mm) | 2267 | 2347 |
| Turning radius | Wa(mm) | 1425 | 1505 |
| Lift speed, laden/unladen | m/s | 0.07/0.09 | |
| Lowering speed, laden/unladen | m/s | 0.15/0.12 | 0.15/0.12 |
| Service brake | | mechanical | mechanical |
| Battery voltage, nominal capacity K | V/h | 12/120 | 12/120 |
| Battery weight | kg | 45 | 95 |
| Battery dimensions l/w/h | mm | 360x170x250 | 360x170x250 |
| Service weight (with battery) | kg | 445 | 480 |

SEMI-ELECTRIC STACKER WITH ADJUSTABLE FORK

Model : NKSESA-III-1030YEL / / NKSESA-III-1535YEL



Advantages

- Compact design with strong european steel construction
- Simple and convenient lifting operational system
- Light and easy manual steering, equipped with parking brake
- Smooth control of precise lifting and lowering
- Special design are available according to customers requirements

Remark

SESA series are with straddle lega & adjustable forks

| | | NKSES-III-1030 | NKSES-III-1530 |
|---|-----------|----------------|----------------|
| Capacity | Q(kg) | 1000 | 1500 |
| Load centre distance | C(mm) | | 600 |
| Load distance, centre of drive axle to fork | X(mm) | | 800 |
| Lowered fork height | h13 | | 70 |
| Max. Lift height | h3(mm) | | 3000/3500 |
| Height, mast lowered | h1(mm) | | 2145/2395 |
| Height, mast extended | h4(mm) | | 3552/4052 |
| Fork dimensions | s/e/l(mm) | | 30/100/(1150) |
| Overall width | b1(mm) | | 1132-1532 |
| Width over forks | b5(mm) | | 200/800 |
| Aisle width for pallets 800x1200 lengthways | Ast(mm) | 2142 | 2212 |
| Turning radius | Wa(mm) | 1340 | 1410 |
| Lift speed, laden/unladen | m/s | | 0.08/0.1 |
| Lowering speed, laden/unladen | m/s | | 0.15/0.12 |
| Battery voltage, nominal capacity K5 | V/Ah | 12/200 | 24/200 |
| Battery weight | kg | 60 | 120 |
| Battery dimensions l/w/h | mm | | 250x190x295 |
| Service weight (with battery) | kg | 445/495 | 480/550 |

*Disclaimer: Specification can be changed without prior notification.
Images of equipment and accessories shown may differ from the actual equipment.*

Head Office:

Nilkamal Limited

Nilkamal House, Plot No.77 & 78, Street No.14,

M.I.D.C, Andheri (East), Mumbai - 400093

Toll Free Number: 1800 121 9115

Email: marketing@nilkamal.com

www.nilkamalmaterialhandling.com